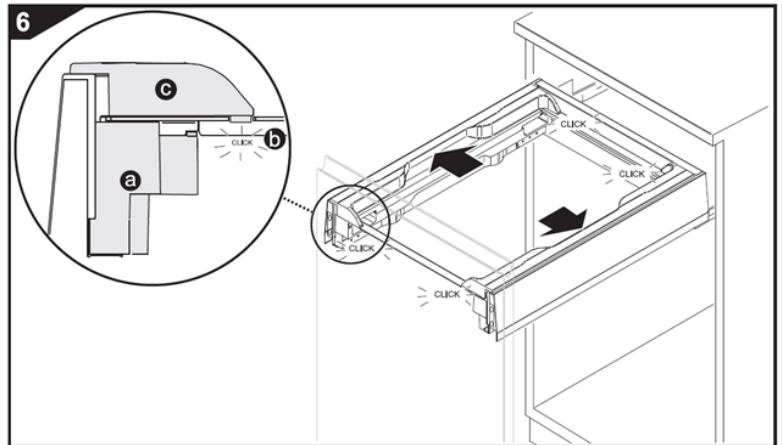


Please follow the below images and accompanying instructions to ensure the frame for the 561 Waste Management System is correctly installed. Failure to do so will result in the frame being too large for the buckets, which will result in the buckets falling through the frame.

The empty space in the picture below shows that the frame has not been correctly installed as the plastic profile has not been clicked into the inox frame.



The following images show the correct installation.

